

Universal Joints & Components

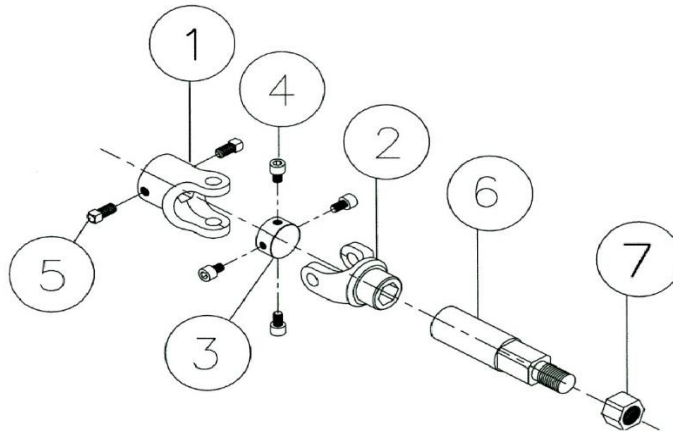
Items Used in the Assembly of Operating Extensions for Manual Type BOPs & Extensions for Manual Locking Hydraulic BOPs

Item Number	Part Number	Description
*	5999K	U-Joint Assembly 43/64" Square
*	6001K	U-Joint Assembly 1 1/2" Square
‡	6004K	U-Joint Assembly Pipe Half x Pipe Half
*	6005K	U-Joint Assembly 1 1/8" Hex
*	6006K	U-Joint Assembly 1 1/4" Hex
*	6007K	U-Joint Assembly 1 1/4" Square
*	6010K	U-Joint Assembly 2" Square
1	6000	U-Joint End 43/64" Square
1	6001	U-Joint End 1 1/2" Square
3	6002	U-Joint Spider
4	6003	U-Joint Spider Cap Screw
2	6004	U-Joint End Pipe Half
1	6005	U-Joint End 1 1/8" Hex
1	6006	U-Joint End 1 1/4" Hex
1	6007	U-Joint End 1 1/4" Square
5	6008	U-Joint Square Head Set Screw
1	6010	U-Joint End 2" Square
7	13510	Nut for Hand Wheel Plug
6	220087	Hand Wheel Plug
‡	721707	Hand Wheel 18" x 3/8" Thick - 4 Handles

‡Not Shown

*Complete assemblies include:

- 1 Ea. U-Joint End
- 1 Ea. Pipe Half U-Joint
- 1 Ea. Spider
- 4 Ea. Cap Screw
- 2 Ea. Set Screw



Tripple M Oil Tool, Inc.
8317 Andrews Hwy.
Odessa, TX 79765

Phone: 432-337-1452 Fax: 432-367-1115

L1