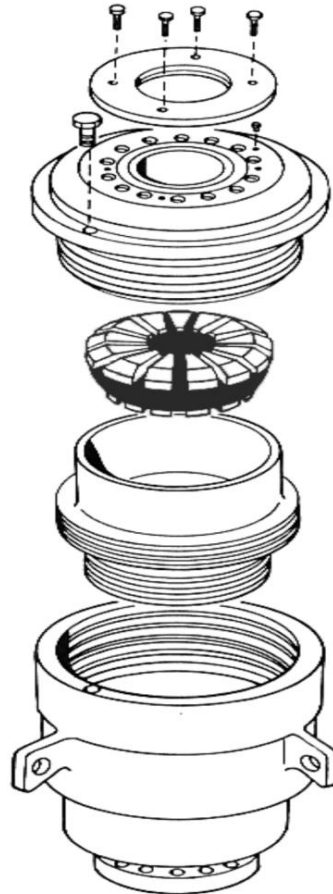
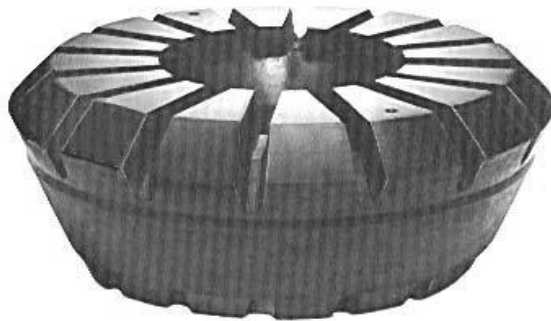


Packing Units*

Part Number	Description
3833	2 9/16" 5M GKS
1003252-01	7 1/16" 3M GK NR
1003252-02	7 1/16" 3M GK NBR
1003253-01	7 1/16" 5M GK NR
1003253-02	7 1/16" 5M GK NBR
1003254-02	7 1/16" 10M GK NBR
1003257-01	9" 3M GK NR
1003257-02	9" 3M GK NBR
1003277-01	9" 5M GK NR
1003277-02	9" 5M GK NBR
1003259-01	11" 3M GK NR
1003259-02	11" 3M GK NBR
1003260-01	11" 5M GK NR
1003260-02	11" 5M GK NBR
1003262-01	13 5/8" 3M GK NR
1003262-02	13 5/8" 3M GK NBR
1003263-01	13 5/8" 5M GK NR
1003263-02	13 5/8" 5M GK NBR

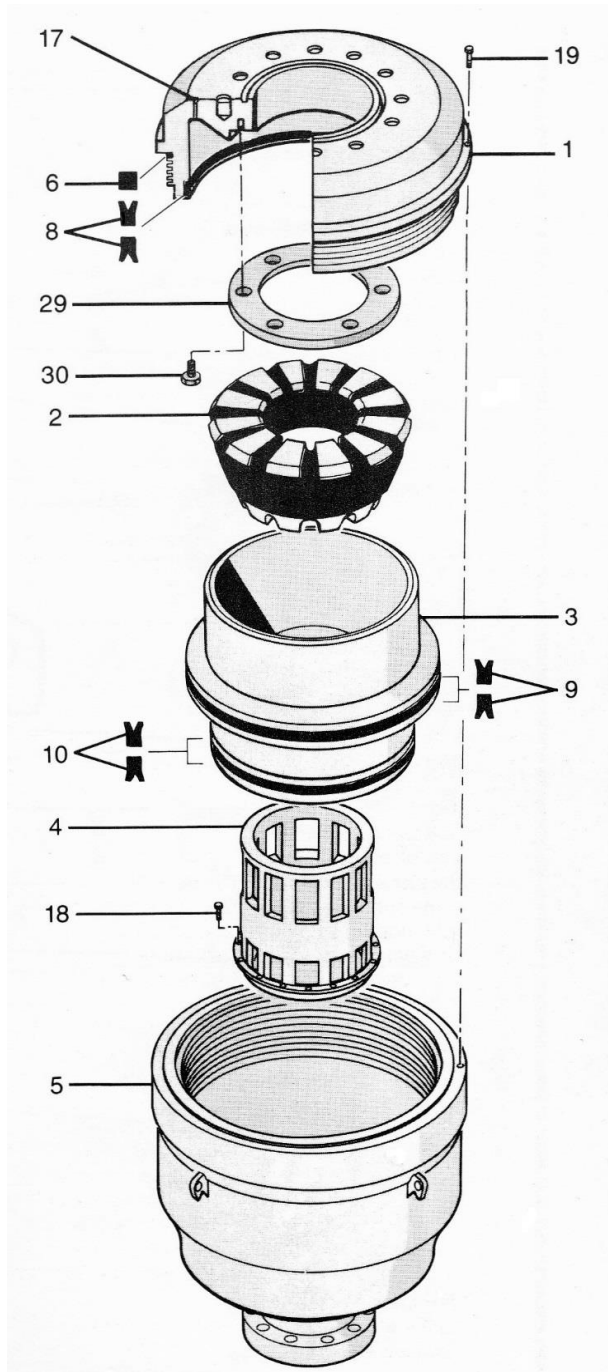
*For Seal & Wear Band Kits See Page J1



Tripple M Oil Tool, Inc.
8317 Andrews Hwy.
Odessa, TX 79765

D4

GK BOP Parts - Screwed Head Models



Tripple M Oil Tool, Inc.
8317 Andrews Hwy.
Odessa, TX 79765

Phone: 432-337-1452 Fax: 432-367-1115

D5

2014 Rev. A

Prices Subject to Change

GK BOP Parts - Screwed Head Models

			5,000		
Item #	Description	Qty. Req.	13 5/8"	11"	7"
1	BOP Head	1	1002203	1002143	1002023
2	Packing Unit Natural		1003263-01	1003260-01	1003253-01
2	Packing Unit Nitrile		1003263-02	1003260-02	1003253-02
3	Piston	1	1002205	1002145	1002025
4	Slotted Sleeve Body	1	1002207	1004201	1002057
5	Body	1	1002201	1002141	1002021
6	Head Gasket	1	38150	31402	3815
8	Upper U-Seal	2	38151	31403	3817
9	Middle U-Seal	2	38152	30736	3819
10	Lower U-Seal	2	38165	32599	3821
17	Pipe Plug	1	1900065-05	1900065-05	1900065-05
18	Slotted Body Sleeve Cap Screw	10	1920026-10010	1920026-12012	1920026-10012
19	Head Lock Screw	1	1002149	1002149	1002191-1
29*	Wear Plate	1	1001788	1004203	1002036
30*	Wear Plate Screw	6	1900097-08006	1920026-08007	1920026-08007
‡	Chain Sling Assy	1	36000-M	-	16946-M
‡	Eyebolt - Piston	2	30957	-	15741
‡	Eyebolt - Head	2	32006	-	32007
‡	Protector Plate	1	38188	-	30693
‡	Protector Plate Screw	4	1900049-08010	-	1900049-08010
‡	Seal Kit		1002209	1002150	3823K

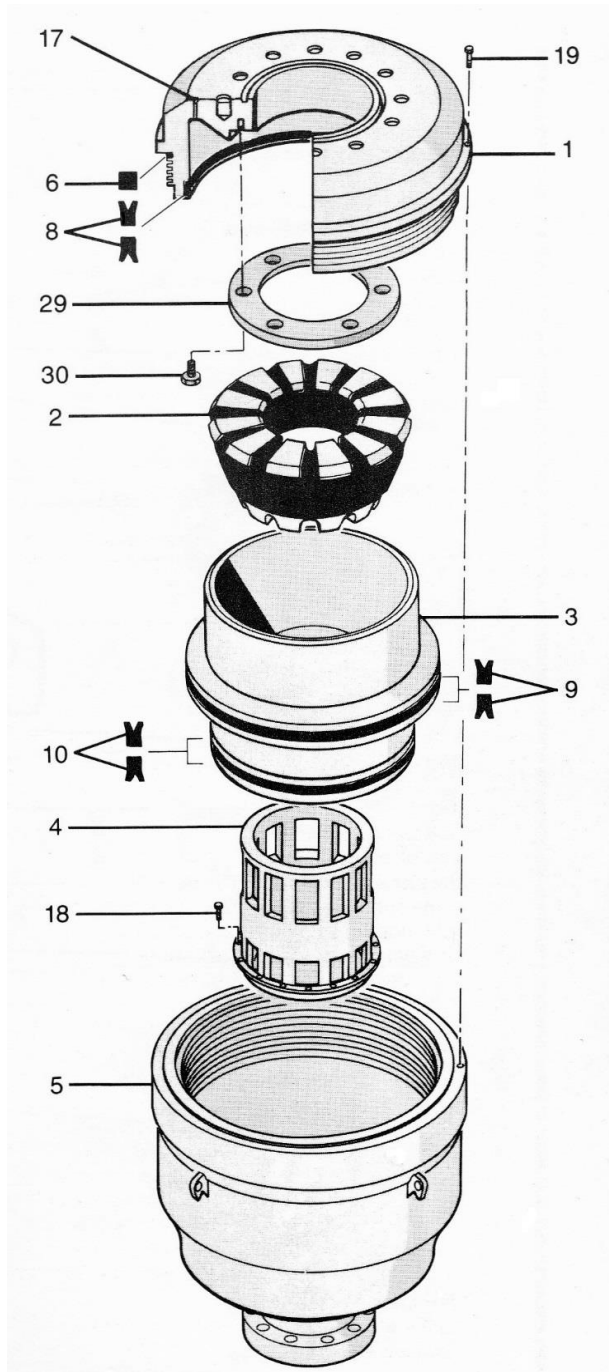
*Some models of this BOP do not have the wear plate.

‡Not Shown

Tripple M Oil Tool, Inc.
8317 Andrews Hwy.
Odessa, TX 79765

D6

GK BOP Parts - Screwed Head Models



Tripple M Oil Tool, Inc.
8317 Andrews Hwy.
Odessa, TX 79765

Phone: 432-337-1452 Fax: 432-367-1115

D7

2014 Rev. A

Prices Subject to Change

GK BOP Parts - Screwed Head Models

			3,000		
Item #	Description	Qty. Req.	13 5/8"	11"	7 1/16"
1	BOP Head	1	1002183	1002123	1002013
2	Packing Unit Natural		1003262-01	1003259-01	1003252-01
2	Packing Unit Nitrile		1003262-02	1003259-02	1003252-02
3	Piston	1	1002185	1002125	1002015
4	Slotted Sleeve Body	1	1004852	1004201	1006148
5	Body	1	1002181	1002121	1002011
6	Head Gasket	1	30738	31809	3802
8	Upper U-Seal	2	30736	31808	3804
9	Middle U-Seal	2	30737	31807	3806
10	Lower U-Seal	2	30735	31604	3808
17	Pipe Plug	1	1900065-05	1900065-05	1900065-05
18	Slotted Body Sleeve Cap Screw	10	1920026-12012	1920026-12012	1920026-10010
19	Head Lock Screw	1	1002191-2	1002069	1002069
29*	Wear Plate	1	1004855	1001778	1002036
30*	Wear Plate Screw	6	1920026-08007	1920026-08007	1920026-08007
‡	Chain Sling Assy	1	-	-	-
‡	Eyebolt - Piston	2	-	-	-
‡	Eyebolt - Head	2	-	-	-
‡	Protector Plate	1	-	-	-
‡	Protector Plate Screw	4	-	-	-
‡	Seal Kit		1002189	1002127	3810K

*Some models of this BOP do not have the wear plate.

‡Not Shown