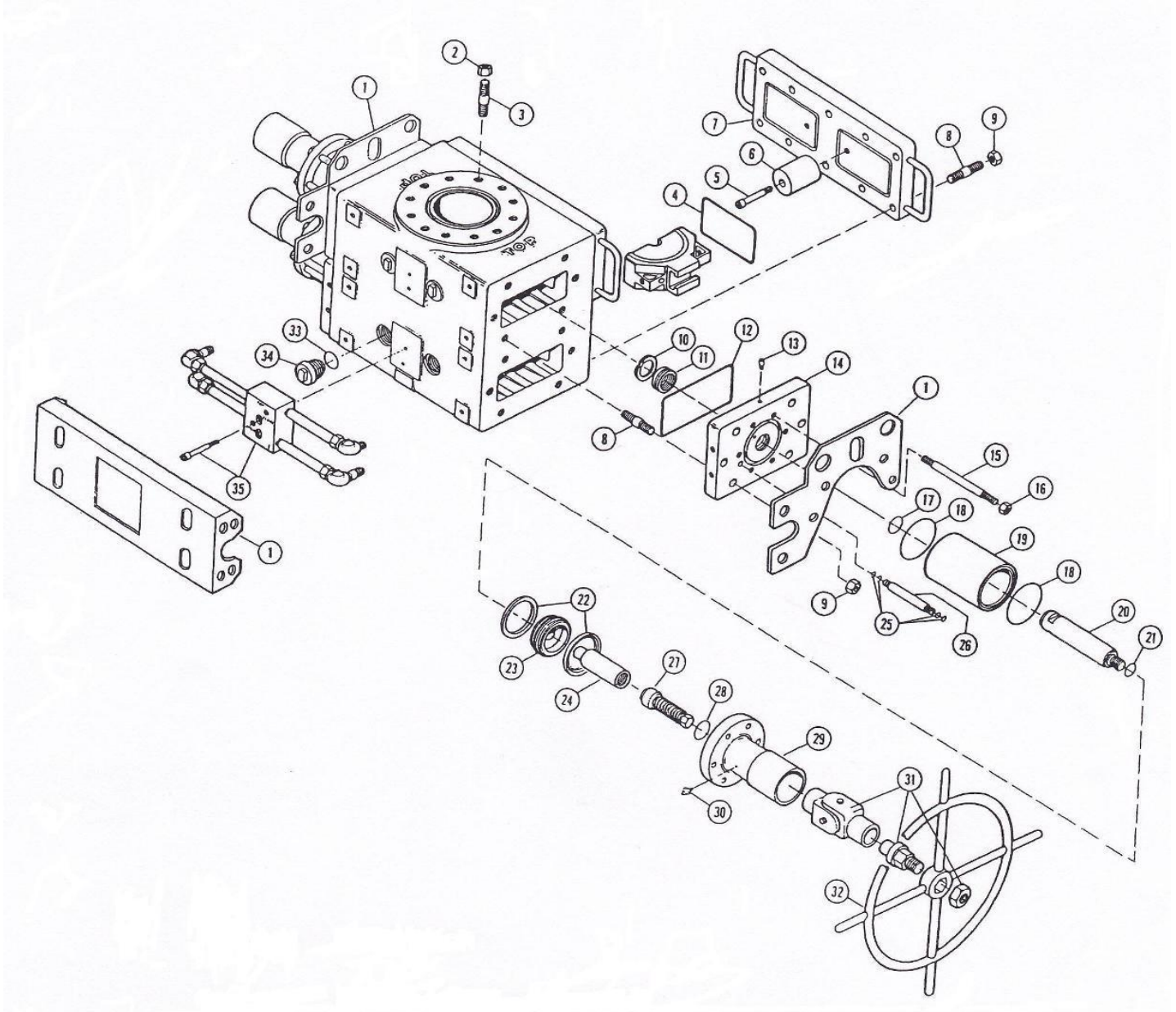


7 1/16" 3M Sentinel Hydraulic BOP



Tripple M Oil Tool, Inc.
8317 Andrews Hwy.
Odessa, TX 79765

Phone: 432-337-1452 Fax: 432-367-1115

A12

2014 Rev. A

Prices Subject to Change

7 1/16" 3M Sentinel Hydraulic BOP

Blowout Preventer Components

Item Number	Part Number	Description
1	721738	Shield & Lifting Assembly
2	13542	1 1/8" Hex Nut
3	13503	1 1/8" x 5 5/8" Stud
4	220188M*	Door Gasket (Molded)
5	10991	Socket Head Cap Screw (for Alignment Pad)
6	721504	Alignment Pad
7	721544	Door Plate
8	220064	1" x 4 1/4" Door Stud
9	13507	1" Hex Nut
10	41462	Spiral Lock Ring for Shaft Packing
11	223112	Female Brass for Shaft Packing
11A	223113	Male Brass for Shaft Packing
11B	223114	Shaft Packing (Each)
12	30099M*	End Plate Gasket (Molded)
13	136635	Bleed Plug
14	721503	End Plate
15	721528	Stud for Cylinder
16	20004	Nut for Cylinder Stud
17	30598	O-Ring for Ram Shaft
18	30329	O-Ring for Cylinder
19	721506	Cylinder
20	721508	Ram Shaft
21	30267	O-Ring for Piston
22	721526	Piston Seal (Each)
23	721507	Piston
24	721541	Piston Nut
25	30653	O-Ring for Manifold Tube
26	722007	Manifold Tube
27	721511	Locking Shaft
28	30596	O-Ring for Bonnet
29	721523	Bonnet
30	60882	Grease Fitting
31	6006K	Universal Joint (1 1/4" Hex Complete)
31A	220087	Hand Wheel Plug
31B	13510	Nut for Hand Wheel Plug
32	721707	Hand Wheel
33	30270	O-Ring for Alignment Plug
34	721505	Alignment Plug
35	722004	Manifold Block
‡	721505-1K	Seal Kit

‡Not Shown

*O-Ring Style Also Available

Tripple M Oil Tool, Inc.
8317 Andrews Hwy.
Odessa, TX 79765

A13