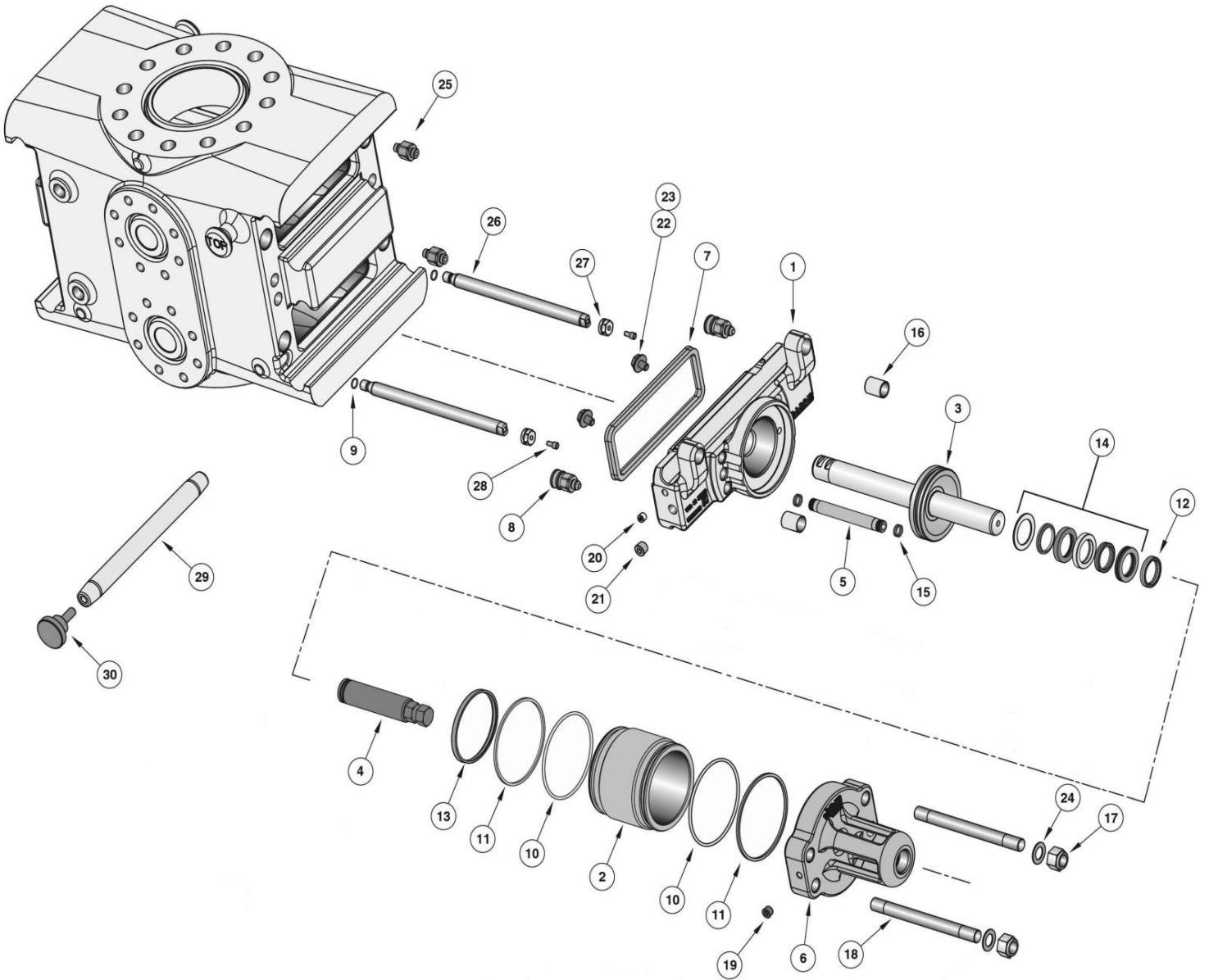


# 7 1/16" 5M LXT BOP



Tripple M Oil Tool, Inc.  
8317 Andrews Hwy.  
Odessa, TX 79765

Phone: 432-337-1452 Fax: 432-367-1115

A25

2014 Rev. A

Prices Subject to Change

# 7 1/16" 5M LXT BOP

## Blowout Preventer Components

| Item Number | Part Number  | Description                      |
|-------------|--------------|----------------------------------|
| 1           | 20021933     | Door                             |
| 2           | 20022087     | Cylinder                         |
| 3           | 20022086     | Piston Shaft                     |
| 4           | 20022088     | Locking Shaft                    |
| 5           | 20022653     | Manifold Tube                    |
| 6           | 20022084     | Cylinder Head                    |
| 7           | 20022103     | Door Gasket                      |
| 8           | 1500390      | Male Nipple 3/8" S.A.E.          |
| 9           | 5019416      | O-Ring for 3/8" Quick Disconnect |
| 10          | 30928        | O-Ring for Cylinder              |
| 11          | 32008        | Back-Up Ring for Cylinder        |
| 12          | 20022403     | Polypak Seal for Cylinder Head   |
| 13          | 32006        | Piston Seal                      |
| 14          | 185174*      | Ram Shaft Seal Assembly          |
| ‡           | 32004**      | Hydrostatic Seal                 |
| ‡           | 32005**      | Wiper Ring                       |
| ‡           | 32009**      | Hydraulic Seal for Door          |
| ‡           | 141365**     | Spiral Retaining Ring            |
| ‡           | 185172**     | Wiper Ring Holder                |
| ‡           | 185173**     | Packing Adapter                  |
| 15          | 30653        | O-Ring for Manifold Tube         |
| 16          | 20022704     | DU Bearing                       |
| 17          | 020009       | 7/8" Hex Nut                     |
| 18          | 20022090     | Stud                             |
| 19          | 65008        | Pipe Plug                        |
| 20          | 20020275     | Pipe Plug                        |
| 21          | 066502       | Pipe Plug                        |
| 22          | 8010201      | Hex Head Cap Screw               |
| 23          | 20001174     | Flat Washer                      |
| 24          | 025046       | Lock Washer                      |
| 25          | 1500389      | Female Coupler 3/8" S.A.E.       |
| 26          | 20022085     | Support Bar                      |
| 27          | 20022650     | End Cap for Support Bar          |
| 28          | 8002856      | Socket Head Cap Screw            |
| 29          | 20022089     | Lock Bar                         |
| 30          | 20021470     | Hand Knob                        |
| ‡           | 20025967     | Pipe Plug                        |
| ‡           | 8130121      | Screw DRV                        |
| ‡           | 185181       | Handle (For Manual Operation)    |
| ‡           | 20020261     | Slide Hammer                     |
| ‡           | 20021695     | Pin Assy                         |
| ‡           | 064036       | Protector for Flange             |
| ‡           | 064078       | Protector for Ring Groove/Flange |
| ‡           | See Page G9  | Ram Assemblies                   |
| ‡           | See Page H15 | Ram Packers & Top Seals          |
| ‡           | 20024693-1K  | Seal Kit                         |

‡Not Shown

\*See page O3 for detailed breakdown.

\*\*Items Included in Ram Shaft Seal Assembly

Tripple M Oil Tool, Inc.  
8317 Andrews Hwy.  
Odessa, TX 79765

A26