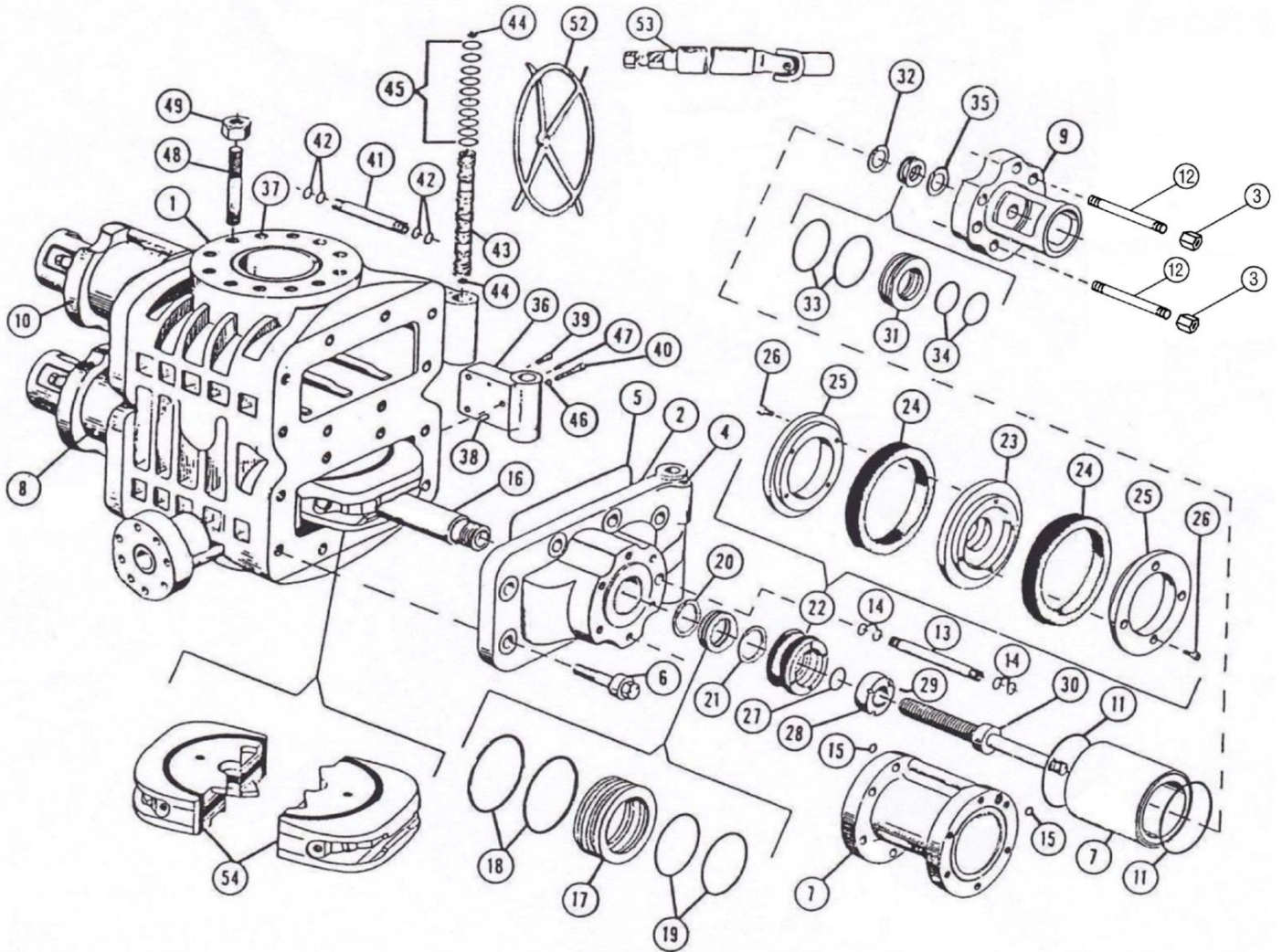


7 1/16" 5M LWS Manual Lock BOP



Tripple M Oil Tool, Inc.
8317 Andrews Hwy.
Odessa, TX 79765

A22

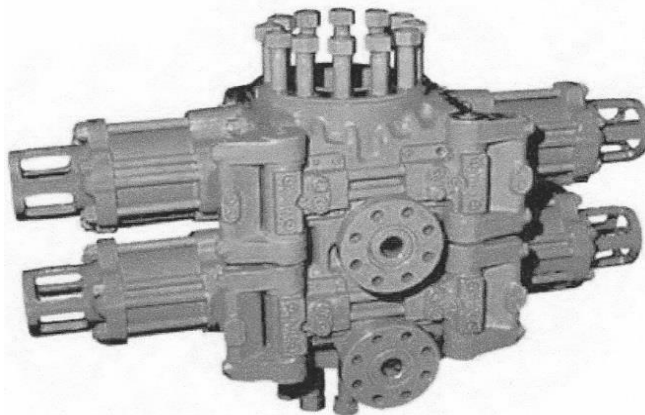
7 1/16" 5M LWS Manual Lock BOP

Blowout Preventer Components

Item Number	Part Number	Description
1	-	Body
2	-	Door - Right Hand
3	20101	Nut for Cylinder Head Stud
4	65001	Pipe Plug
5	30030	Door Gasket
6	133012	Door Bolt
7	133004	Cylinder - Right Hand
8	133004	Cylinder - Left Hand
9	133005	Cylinder Head - Right Hand
10	133006	Cylinder Head - Left Hand
11	30141	O-Ring for Cylinder & Cylinder Head
12	133019	Stud for Cylinder & Cylinder Head
‡	133011	Cap Screw for Cylinder & Cylinder Head
13	133007	Manifold Tube for Cylinder
14	30056	O-Ring for Cylinder Manifold Tube
15	30058	O-Ring for Cylinder Manifold Port
16	133008	Ram Shaft
17	132415	Packing Adapter
18	30077	O-Ring for Packing Adapter (Outer)
19	30000	O-Ring for Packing Adapter (Inner)
20	40952	Retainer Ring for Packing Adapter
21	40395	Scraper Ring for Ram Shaft
22	132413	Piston Assembly
23	132420*	Piston Body
24	132422*	Piston Rubber
25	132421*	Retainer for Piston Rubber
26	132423*	Cap Screw for Rubber Retainer
27	30071*	O-Ring for Piston
28	132414	Piston Locknut
29	10015	Set Screw for Piston Locknut
30	133009	Locking Shaft
31	130014	Thrust Bushing for Locking Shaft
32	40146	Retainer Ring for Thrust Bushing
33	30011	O-Ring for Thrust Bushing (Outer)
34	30065	O-Ring for Thrust Bushing (Inner)

*Items Included in Piston Assembly

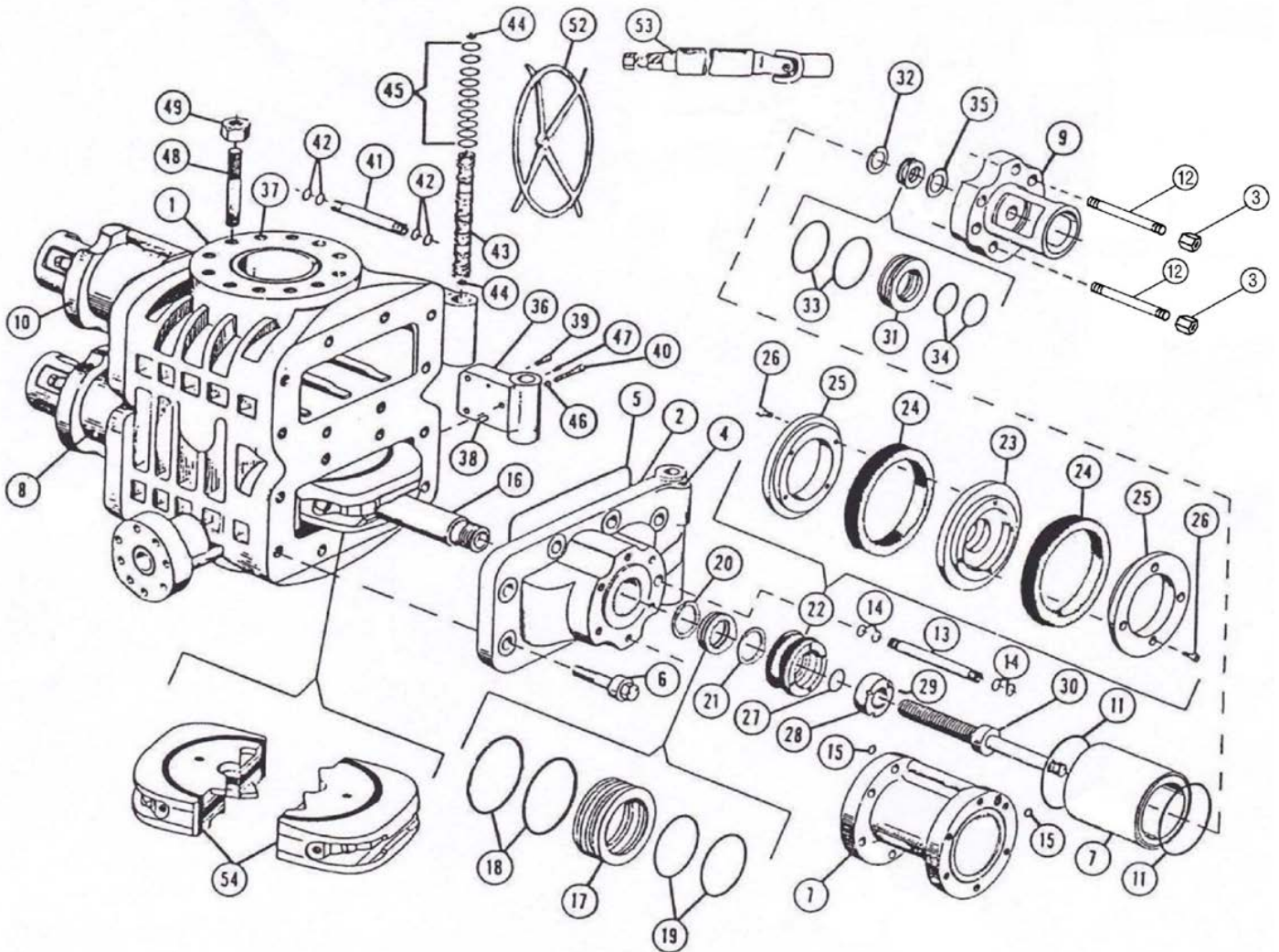
‡Not Shown



Tripple M Oil Tool, Inc.
8317 Andrews Hwy.
Odessa, TX 79765

A23

7 1/16" 5M LWS Manual Lock BOP



Tripple M Oil Tool, Inc.
8317 Andrews Hwy.
Odessa, TX 79765

7 1/16" 5M LWS Manual Lock BOP

Blowout Preventer Components

Item Number	Part Number	Description
35	40384	Scraper Ring for Locking Shaft
36	132411	Hinge Bracket - Right Hand
37	132411	Hinge Bracket - Left Hand
38	50080	1/2" x 1" Dowel Pin
39	10691	Cap Screw for Hinge Bracket (Short)
40	10622	Cap Screw for Hinge Bracket (Long)
41	132427	Manifold Tube for Hinge (Straight)
42	30054	O-Ring for Hinge Manifold Tube
43	133010	Hinge Pin
44	65001	Plug for Hinge Pin
45	30061	O-Ring for Hinge Pin
46	132424	Retainer Pin for Hinge Pin
47	66327	Thread Protector Plug
48	13551	1 3/8" x 7" Stud
49	13552	1 3/8" Hex Nut
52	131107	Hand Wheel
53	6006K	Universal Joint (1 1/4" Hex Complete)
54	See Page G11	Ram Assembly
‡	10706	Center Screw (Ram Block)
‡	50267	Grease Fitting for Hinge Bracket
‡	135545	Retaining Screw (Ram Rubber)
‡	135848	Retractor Stud STD. Trim
‡	141202	Retractor Stud H2S Trim
‡	220087	Hand Wheel Plug
‡	130006-1K	Seal Kit

‡Not Shown

7 1/16" 5M LWS Hinge Bracket Assembly

Item Number	Description	QTY	7 1/16 5M LWS
	Assembly Part Number		132660
1	Hinge Bracket	1	132411
2	Hinge Pin	1	133010
3	Socket head plug - Hinge Pin	2	65001
4	Socket head plug - Bracket	2	65002
5	O-Ring - Hinge Pin	10	30061
6	Cap Screw - Hinge Bracket - Short	4	10691
7	Cap Screw - Hinge Bracket - Long	1	10622
8	Dowel Pin	2	50080
9	Retainer - Hinge Pin	1	132424
10	Grease Fitting	2	50267