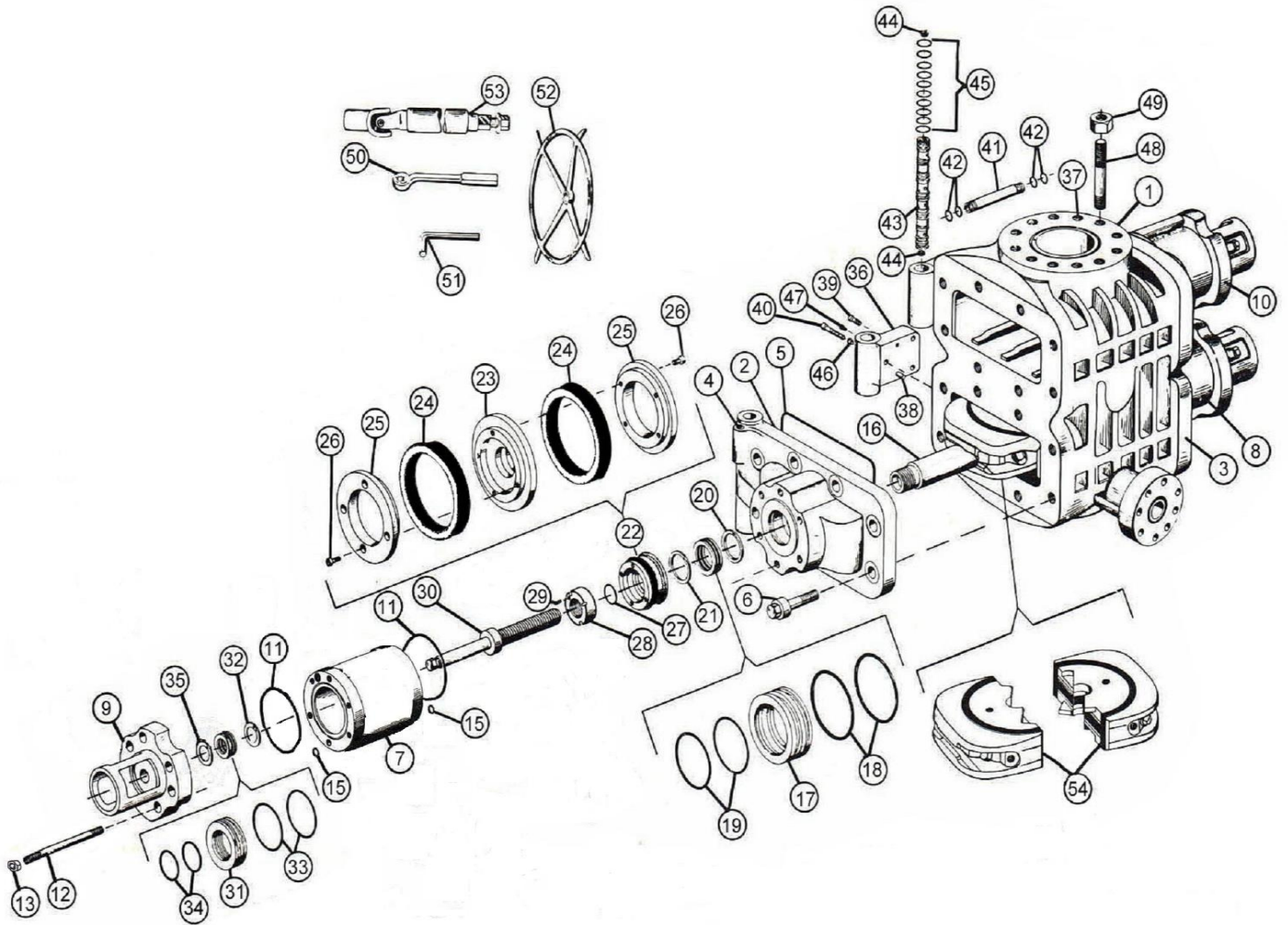


# 11" 3M LWS Manual Lock BOP



Tripple M Oil Tool, Inc.  
8317 Andrews Hwy.  
Odessa, TX 79765

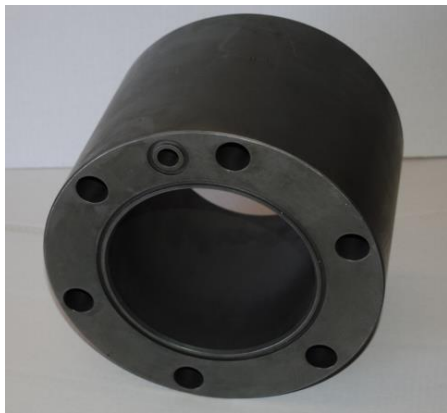
A36

# 11" 3M LWS Manual Lock BOP

## Blowout Preventer Components

Item Number	Part Number	Description
1	-	Body
2	-	Door - Right Hand
3	-	Door - Left Hand
4	65001	Pipe Plug
5	30106	Door Gasket
6	133012	Door Bolt
7	132405	Cylinder - Left Hand
8	132404	Cylinder - Right Hand
9	132406	Cylinder Head - Right Hand
10	132407	Cylinder Head - Left Hand
11	30141	O-Ring for Cylinder & Cylinder Head
12	138795	Stud for Cylinder & Cylinder Head
13	20101	Nut for Cylinder Head Stud
15	30058	O-Ring for Cylinder Manifold Port
16	141266	Ram Shaft
17	132415	Packing Adapter
18	30077	O-Ring for Packing Adapter (Outer)
19	30000	O-Ring for Packing Adapter (Inner)
20	40952	Retainer Ring for Packing Adapter
21	40395	Scraper Ring for Ram Shaft
22	132413	Piston Assembly
23	132420*	Piston Body
24	132422*	Piston Rubber
25	132421*	Retainer for Piston Rubber
26	132423*	Cap Screw for Rubber Retainer
27	30071*	O-Ring for Piston
28	132414	Piston Locknut
29	10015	Set Screw for Piston Locknut
30	141268	Locking Shaft
31	130014	Thrust Bushing for Locking Shaft
32	40146	Retainer Ring for Thrust Bushing
33	30011	O-Ring for Thrust Bushing (Outer)
34	30065	O-Ring for Thrust Bushing (Inner)
35	40384	Scraper Ring for Locking Shaft

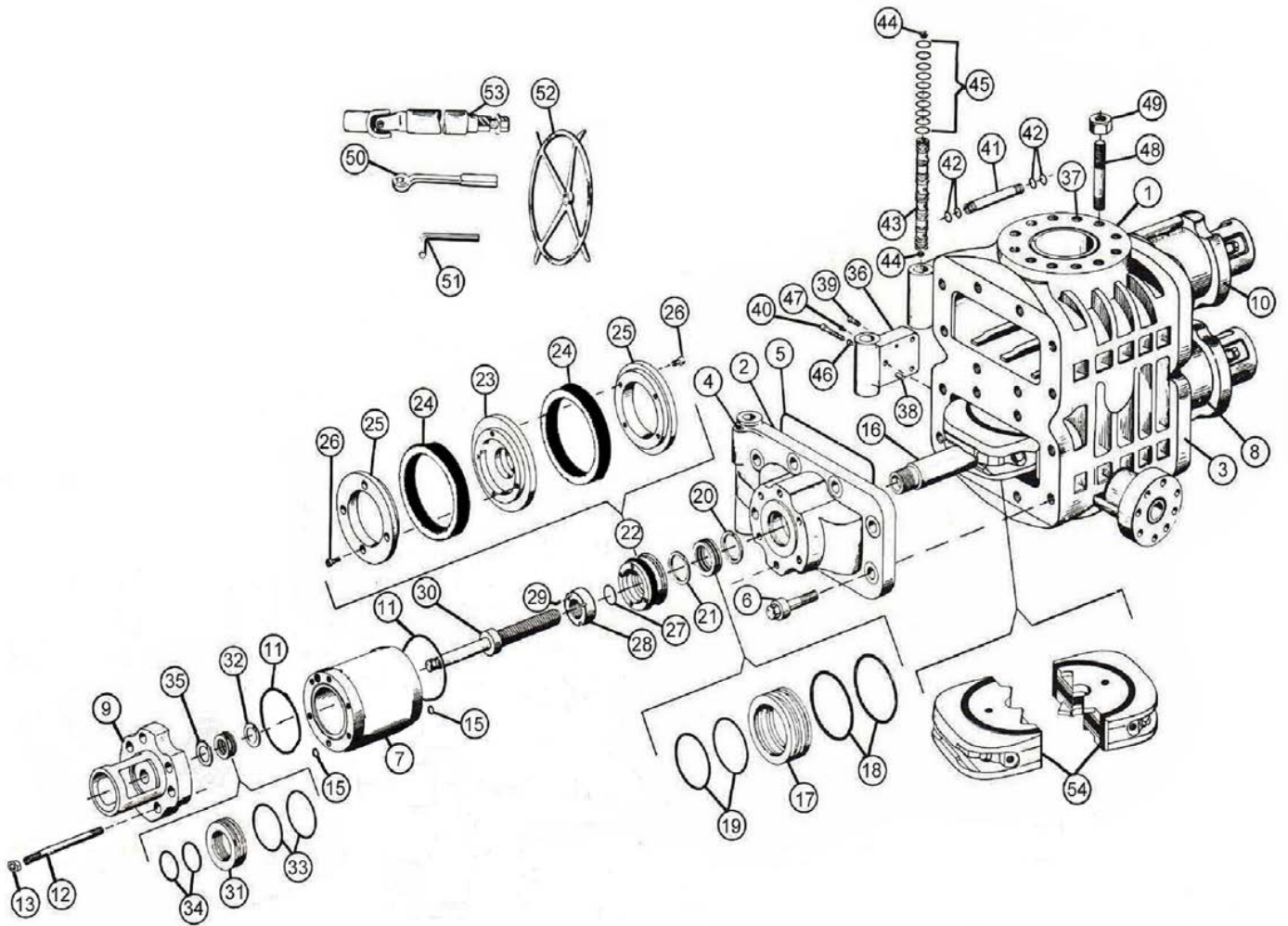
\*Items Included in Piston Assembly



Tripple M Oil Tool, Inc.  
8317 Andrews Hwy.  
Odessa, TX 79765

A37

# 11" 3M LWS Manual Lock BOP



Tripple M Oil Tool, Inc.  
8317 Andrews Hwy.  
Odessa, TX 79765

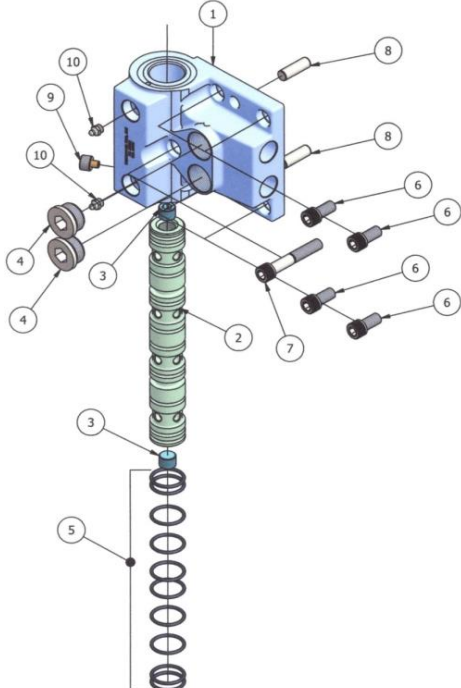
# 11" 3M LWS Manual Lock BOP

## Blowout Preventer Components

Item Number	Part Number	Description
36	132411	Hinge Bracket - Right Hand
37	132411	Hinge Bracket - Left Hand
38	50080	1/2" x 1" Dowel Pin
39	10691	Cap Screw for Hinge Bracket (Short)
40	10622	Cap Screw for Hinge Bracket (Long)
41	132430	Manifold Tube for Hinge (Straight)
42	30054	O-Ring for Hinge Manifold Tube
43	132417	Hinge Pin
44	65001	Plug for Hinge Pin
45	30061	O-Ring for Hinge Pin
46	132424	Retainer Pin for Hinge Pin
47	66327	Thread Protector Plug
48	13549	1 3/8" x 6 1/2" Stud
49	13552	1 3/8" Hex Nut
50	50363	Wrench - Door
51	50133	Wrench - Cylinder Head
52	131107	Hand Wheel
53	6006K	Universal Joint (1 1/4" Hex Complete)
54	See Page G13	Ram Assembly
‡	132430-1	Manifold Tube for Hinge (Curved)
‡	135575	Retractor Stud
‡	220087	Hand Wheel Plug
‡	130006-1K	Seal Kit

‡Not Shown

## 11" 3M LWS Hinge Bracket Assembly



Item Number	Description	QTY	11" 3M LWS
	<b>Assembly Part Number</b>		<b>132664</b>
1	Hinge Bracket	1	132411
2	Hinge Pin	1	132417
3	Socket head plug - Hinge Pin	2	65001
4	Socket head plug - Bracket	2	65002
5	O-Ring - Hinge Pin	10	30061
6	Cap Screw - Hinge Bracket - Short	4	10691
7	Cap Screw - Hinge Bracket - Long	1	10622
8	Dowel Pin	2	50080
9	Retainer - Hinge Pin	1	132424
10	Grease Fitting	2	50267